

STREAMLINED INFLATION STATION FOR THE SAFE INFLATION OF WHEELS

The inflation station contains of a roller table with a built-on safety portal, that includes a PCI 1200 computer inflator.

IT 1000 can be mounted with different kinds of optional equipment. This way you can have an inflation station with exactly the features and functions you need.

The use of the IT 1000 inflation station offers – beside from an increased safety – a high level of efficiency to the complete tyre service workflow.

FEATURES

- High level of safety when inflating wheels
- Big window on the front for a good view
- Polycarbonate glass is mounted with a heavy glue for a good durability
- Strong construction and a wide portal = high safety
- Incl. PCI 1200 computer inflator, which is nicely integrated on the front
- Can be mounted with different kinds of optional equipment



IT 1000 inflation station PLUS 1.0

COLOR



7016

VEHICLE



MC

CAR

VAN

4X4

MAX WHEEL SIZE



H: 860 MM – W: 400 MM

SAFETY



SAFETY GLASS - POLYCARBONATE

MODEL

IT 1000 inflation station

Incl. PCI 1200/7 bar computer inflator

ITEM NO.

554 01 200

DIMENSIONS

1.235 (H) x 1.000 (W) x 1.000 (D) mm

IT 1000 inflation station PLUS 1.0

Incl. PCI 1200/7 bar computer inflator; Omega Jet System, extension tables 700 mm and 500 mm with tilt

554 01 200 P1.0

1.235 (H) x 2.310 (W) x 1.000 (D) mm

IT 1000 inflation station PLUS 2.0

Incl. PCI 1200/7 bar computer inflator; 2 pneumatic safety gates, Omega Jet System, extension tables 700 mm and 500 mm with tilt

554 01 200 P2.0

1.235 (H) x 2.310 (W) x 1.000 (D) mm

OPTIONS INCL. INSTALLATION

<input type="checkbox"/>	PNEUMATIC OMEGA JET SYSTEM, 30 L TANK	554 10 005	<input type="checkbox"/>	AUDIBLE ALARM, SOUND AND WARNING LIGHT	400 00 135
<input type="checkbox"/>	PNEUMATIC SAFETY GATE, RIGHT SIDE	554 10 010	<input type="checkbox"/>	EXTRA PCI 1200/7 BAR COMPUTER INFLATOR	100 12 070
<input type="checkbox"/>	PNEUMATIC SAFETY GATE, LEFT SIDE	554 10 020	<input type="checkbox"/>	PCI HOLDER FOR EXTRA PCI 1200	554 10 000
<input type="checkbox"/>	EXTENSION TABLE 350*	555 00 200	<input type="checkbox"/>	ROLLER WITH BUILT-IN BRAKE	151 51 615
<input type="checkbox"/>	EXTENSION TABLE 700*	554 10 040	<input type="checkbox"/>	FRONT DECOR PLATE (RAL 3002, 5015 OR 9006)	975 00 200
<input type="checkbox"/>	EXTENSION TABLE 500 WITH TILT*	550 00 201	<input type="checkbox"/>	FLOOR ANCHOR SET	550 00 210
<input type="checkbox"/>	WARNING LIGHT, ORANGE	400 00 129			

*Excl. installation

SEE THE NEXT PAGE FOR INFORMATION ON OPTIMAL EQUIPMENT



PNEUMATIC OMEGA JET SYSTEM

The pneumatic Omega Jet System uses a boost of air to make the bead have the right seat on the rim.

- Flowoptimized pneumatic Omega Jet System
- 30 litre pressure tank = reinforced jet function



PNEUMATIC SAFETY GATES

IT 1000 can be mounted with pneumatic safety gates, that offers optimal protection during inflation.

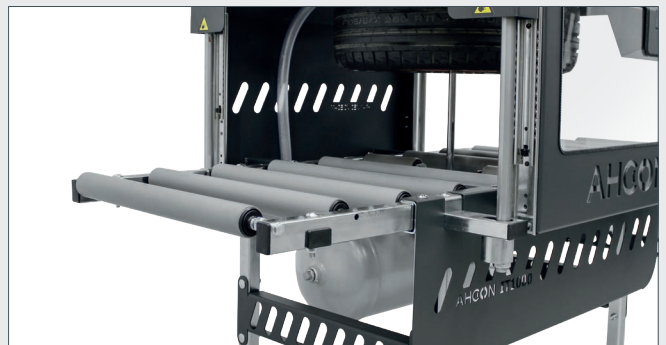
- Closes automatically when activating the inflation cycle
- Offers optimal protection against mounting paste and other fragments



EXTENSION TABLE 700

This extension table with legs can be mounted on the inflation station in both ends, where it secures a good workflow on the mounting line.

- Makes room for the helping arm of the tyre changer
- More space for wheels – and this way a better workflow on the line
- Possible to have more concurrent workflows, such as bead breaking, tyre mounting and inflation



EXTENSION TABLE 350

This extension table can be pushed into the roller table of the inflation station. This way it extends the work area of the inflation station with 350 mm.

- More space at the inflation line – and this way a better workflow on the mounting line



EXTENSION TABLE 500 WITH TILT

Thanks to the drop with an angle of 35 degrees, this extension table secures a good ergonomic connection to the next element of the mounting line.

- Is used on the left side of the inflation station for improved ergonomics